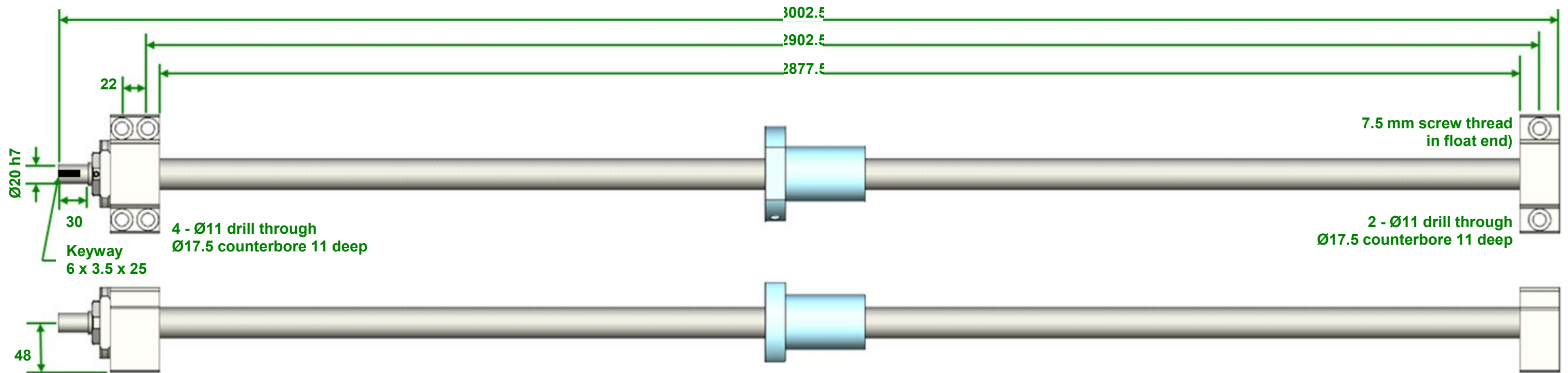
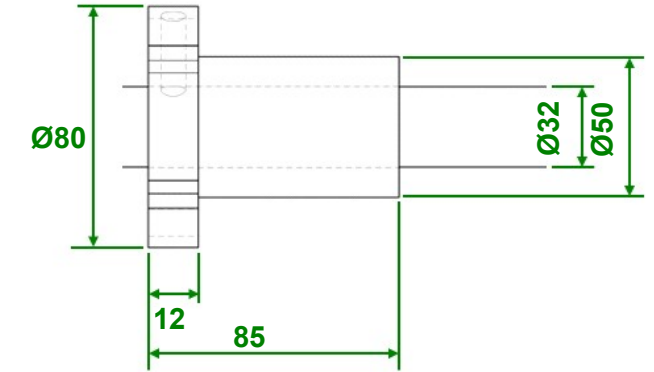
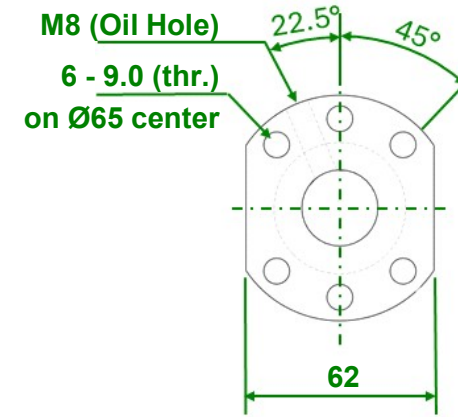




File Name:
F2RFU-3210-3000-BK25-BF25ASM_DATASHEET

Model Code:
F2RFU-3210-3000-BK25/BF25ASM



Ball Circle Diameter:	32 mm
Lead:	10 mm
Travel Variation (e300):	±50 µm / 300 mm
Backlash:	0.000 – 0.003
Hand Thread:	Right
C _{dyn} :	7475 lbs (70323 N)
C ₀ :	15810 lbs (33249 N)

Screw Cut Length:	3000 mm
Thread Length:	2885 mm
Nut Length:	85 mm
Max Stroke:	2792.5 mm

Units: mm

INSPIRE GREAT AUTOMATION



11970 Mayfield Livonia, MI 48150
(248) 798-4877
sales@fang2th.com